

CARROM®

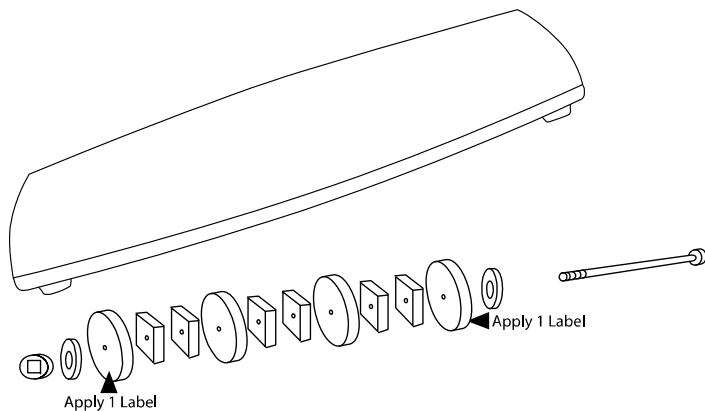
CARROM COMPANY® • P.O. BOX 649 • 218 E. DOWLAND ST • LUDINGTON, MI. 49431
Phone: (231) 845-1263 • www.carrom.com

BALANCE BOARD Model #510.60, #510.70

TOOLS NEEDED: 2 wrenches (9/16 or adjustable)

ROLLER ASSEMBLY:

Use the picture below to assemble the roller. Start with putting 1 label on the outside of 2 of the large wheels. Next, put 1 washer on the bolt. Follow this with one large wheel with label facing out, two square spacers, one large wheel, two square spacers, one large wheel, two square spacers, and one large wheel with label facing out, 1 washer, and one lock nut. Put a wrench on both ends (lock nut and bolt) and tighten securely. For best performance periodically check the lock nut for tightness.



Beginners may want to:

- *Start out on a carpeted floor before trying a hard surface
- *Wear protective gear such as a helmet, knee pads, or elbow pads

PRODUCT REGISTRATION: Visit www.carrom.com to register your product(s) to receive the latest updates, special offers and other product related information.

07.510.63 04/15