

CARROM®

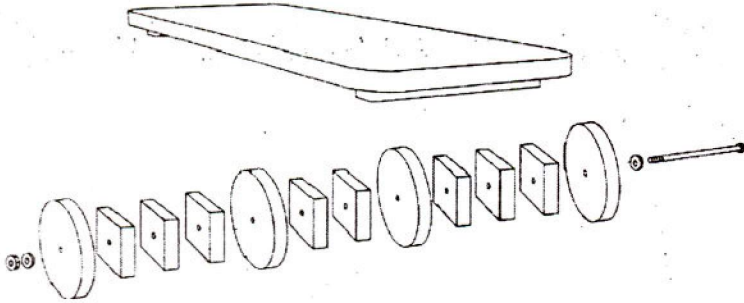
CARROM COMPANY® * P.O. BOX 649 * 218 E. DOWLAND ST * LUDINGTON, MI. 49431
Phone: 1-231-845-1263 www.carrom.com

INSTRUCTIONS MODEL #510 BALANCE BOARD

TOOLS NEEDED: 2 wrenches (9/16 or adjustable)

ROLLER ASSEMBLY:

Use the picture below to assemble the roller. Start with putting one washer on the bolt. Follow this with one large wheel, three square spacers, one large wheel, two square spacers, one large wheel, three square spacers, one large wheel, one washer, and one lock nut. Put a wrench on both ends (lock nut and bolt) and tighten securely.



For best performance periodically
check the lock nut for tightness

Beginners may want to:

- *Start out on a carpeted floor before trying a hard surface
- *Wear protective gear such as a helmet, knee pads, or elbow pads

07.510.14 03/05