

218 E. Dowland Street
Ludington, MI 49431

CARROM®

Assembly Instructions - Electronic Scoring for 6' and 7' Air Hockey

For Toll Free Technical Assistance concerning
Product Assembly, Operation or Replacement Parts,
Please call us at 1-800-223-6047

Please note that this Electronic Scoring Unit contains
parts which allow it to be installed on Air Hockey tables
which did not include Electronic Scoring as part of the
original purchase.

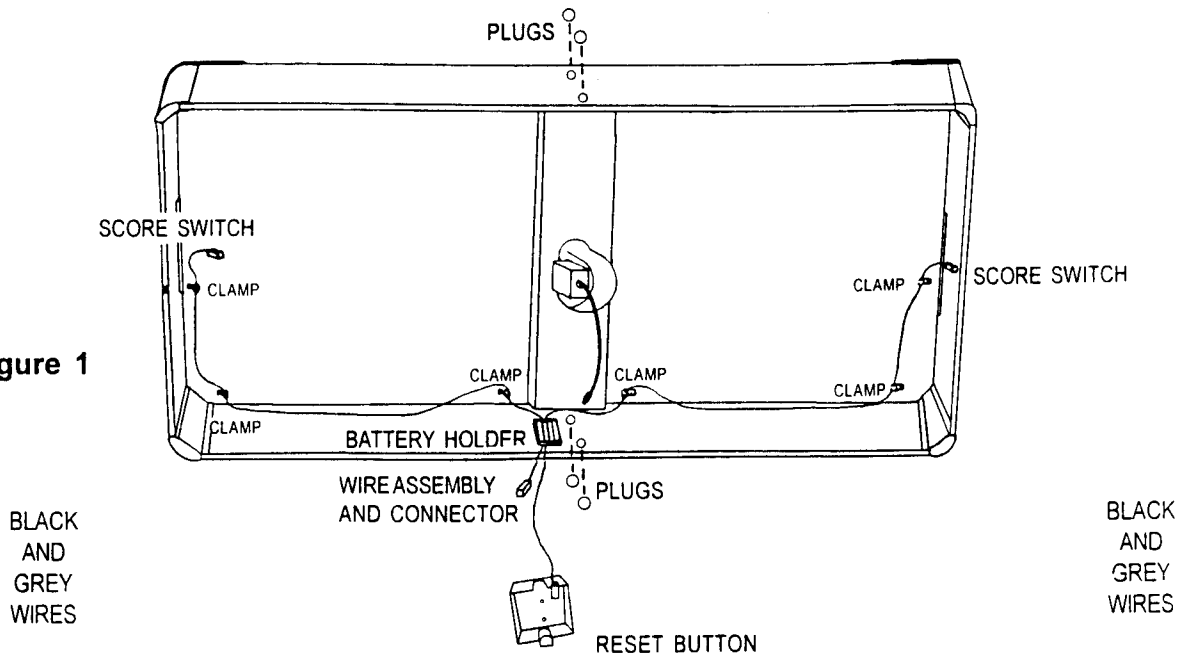
Electronic Scorer Assembly Instructions:

Tools Required: (1) Phillips Screwdriver, (1) Straight
Blade Screwdriver, (2) 7/16" Wrench

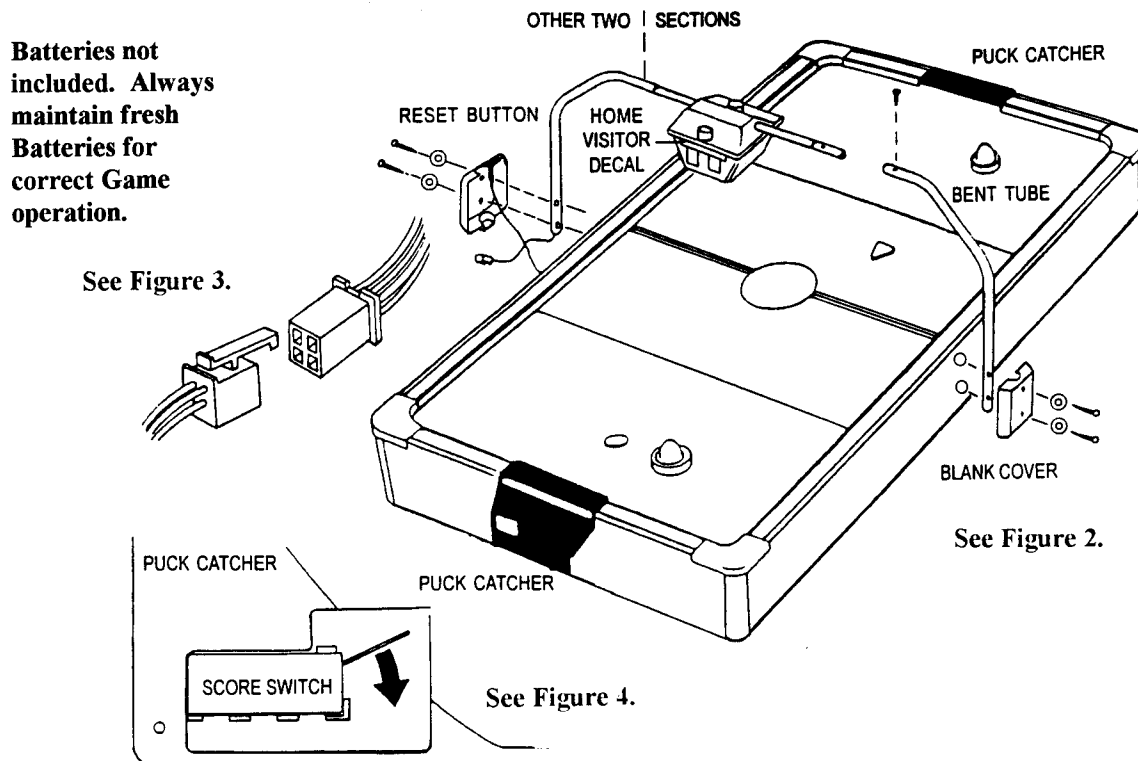
Parts List:

Item	Description	Qty.
1.	Tubing Set (3)	1
2.	Electronic Score Box	1
3.	Cable set	1
4.	Instructions	1
These items packed in a bag		
5.	Home Visitor - Label	1
6.	Cable Clamps	6
7.	#6 x 3/8" Woodscrew	6
8.	1/4-20 x 2" Bolt	4
9.	1/4" x 3/4" Washer	8
10.	#8x3/8" Sheetmetal screw	2
11.	1/4-20 Hexnut	4

Figure 1



1. Remove the adhesive liner from the battery holder and attach it to the inside cabinet apron with the wires facing down approximately 1" from the edge of the cabinet and 1" from the holes. See Figure 1.
2. Layout the cables on the underside of the table, with one set of black and gray wires toward the left goal and the remaining black and gray to the right goal.
3. Slip three plastic cable clamps over each of the two pairs of wires. Attach each cable clamp with a #6 x 3/8" screw into the underside of the table as shown in Figure 1.
4. Very carefully, with assistance from one or more persons, turn the table over and set it on its legs. The wire harness connector, and cover plate with the reset button and wires will hang down from the battery holder. Be careful not to damage anything while turning over the table.
5. Remove 4 hole plugs, if present, from the outside of the cabinet. Two from each side of the Game. See Figure 1.



6. Attach the plain section of bent tube and the blank cover (the one with no wires or reset button inside) to the cabinet side opposite the battery with (2) 1/4-20 x 2" bolts and (2) 3/4" washer. **See Figure 2.** If this table did not have a previously installed Electronic Scoring Unit, two additional 3/4" washer and (2) 1/4-20 hexnuts will be needed to assemble this unit.

7. Assemble the other two sections of tubing, one straight section with scorer housing and one bent section with wires protruding. Align the two, small, pre-punched holes and install (1) #8 x 3/8" sheet metal screw. PLEASE NOTE: Innermost holes on the straight section are for 6' Table and outermost holes are for 7' Table.

8. Insert this assembly into the bent tube previously assembled to the cabinet in Step 6. Align the two, small pre-punched holes and install (1) #8 x 3/8" sheet metal screw.

9. Attach the plastic housing with reset switch and bent tube to the side of the cabinet with (2) 1/4-20 x 2" bolts and (2) 3/4" washer. **See Figure 2.** If this table did not have a previously installed Electronic Scoring Unit, two additional 3/4" washer and (2) 1/4-20 hexnuts will be needed to assemble this unit.

10. Join the two cable connectors together. **See Figure 3.**

11. Insert the score switches into the puck catchers while they are detached from the table. One at each end of the table. **See Figure 4.**

12. Attach each puck catcher to the table with (6) #8 x 1/2" screws. **See Figure 2.**

13. Attach the home and visitor decal to the scorer housing. Place Visitor label on Left and Home label on Right on each side of the unit. Place Period label above middle dots. **See Figure 2.**

14. Install (4) "AA" size batteries into the battery holder. The electronic scorer unit will begin the game/period cycles when the reset button is pushed. The scorer may be reset at any time. It will automatically shut itself off, to conserve battery power, when finished with the complete cycle.

15. Always keep fresh batteries in the scoring unit. Low batteries can cause false readings.