



218 E. Dowland Street • Ludington, MI 49431-0649  
www.carrom.com

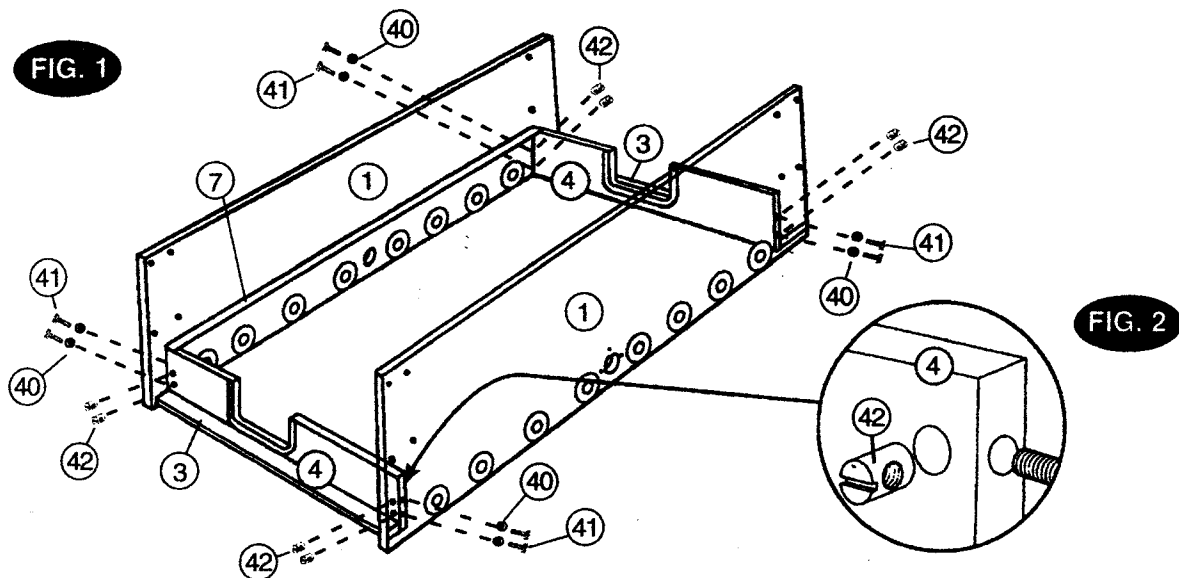
# PREMIUM SOCCER

ASSEMBLY &  
INSTRUCTION MANUAL

## TOOLS REQUIRED

- Hammer
- Adjustable Wrench
- Phillips Screwdriver
- Straight Blade Screwdriver

**NOTICE: THIS PRODUCT IS INTENDED FOR USE BY  
OR UNDER SUPERVISION OF ADULTS**



## GAME ASSEMBLY INSTRUCTIONS - FIGURES 1 & 2

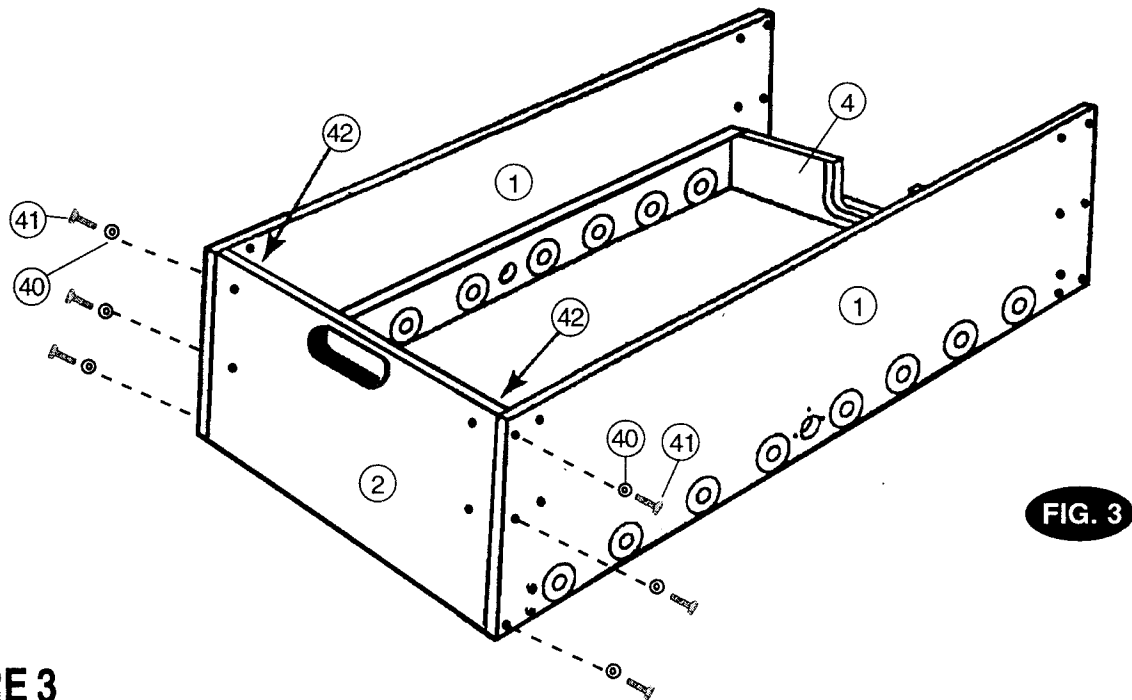
1. Open the carton of your new PREMIUM SOCCER GAME near where you will play. Select a clear level floor. The table will be assembled upside down, and then turned over onto its legs. This is a very heavy table game, and turning it over will require at least two strong adults.

2. With top edges down, assemble (2) SIDES (item #1), with GREEN PLAY FIELD "F" EXTRUSION (item #7) facing inward, and (2) GOAL END BOARDS (item #4) with slotted surface facing outward. Use 1/4 - 20 x 2 1/4" BOLTS (item #41), 1/4" ID FLAT STEEL WASHERS (item #40) and CROSS DOWEL BARREL NUTS (item #42), See Figure 2. Make connections finger tight at this time. **Note: Your table is assembled using CROSS DOWEL BARREL NUTS for a strong permanent connection. CROSS DOWEL BARREL NUTS must be bottomed in the hole with slotted end outward, the slot in line (parallel) with the mating machine screw. For proper assembly, make sure that the bolt and inserts are aligned and engaged.**

3. Select (2) TOP SLATS (item #3) and with finished surface down, insert tenons into the slots of the assembled GOAL END BOARD (item #4).

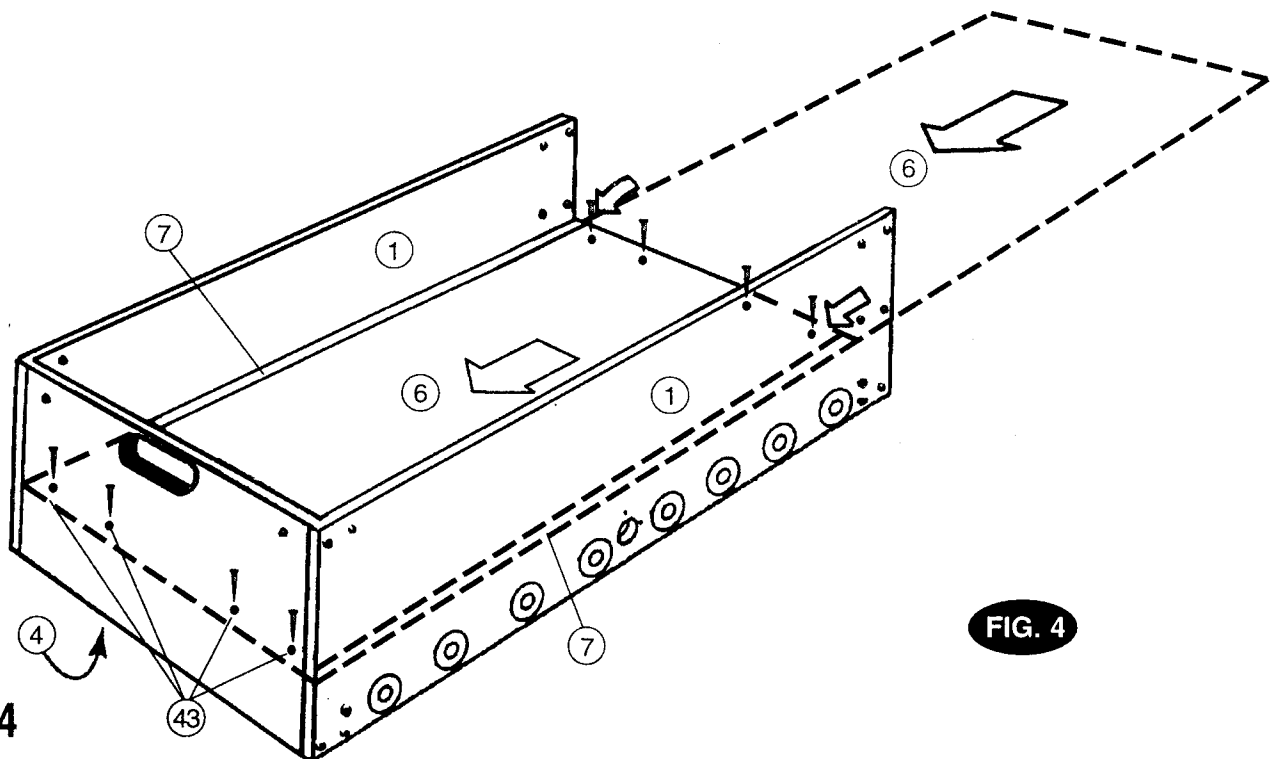
**FOR TOLL-FREE TECHNICAL ASSISTANCE ABOUT ASSEMBLY, OPERATION, OR REPLACEMENT PARTS  
PLEASE CALL US AT: 1-800-223-6047**

**2**



**FIGURE 3**

4. Now assemble CABINET END (item #2) with the slotted side facing inward. This slot should fit on tenon of the TOP SLAT. Use (6) 1/4 - 20 x 2 1/4" BOLTS (item #41), (6) FLAT STEEL WASHERS (item #40) and (6) CROSS DOWEL BARREL NUTS (item #42 refer to Figure 2. Make connection finger tight at this time.

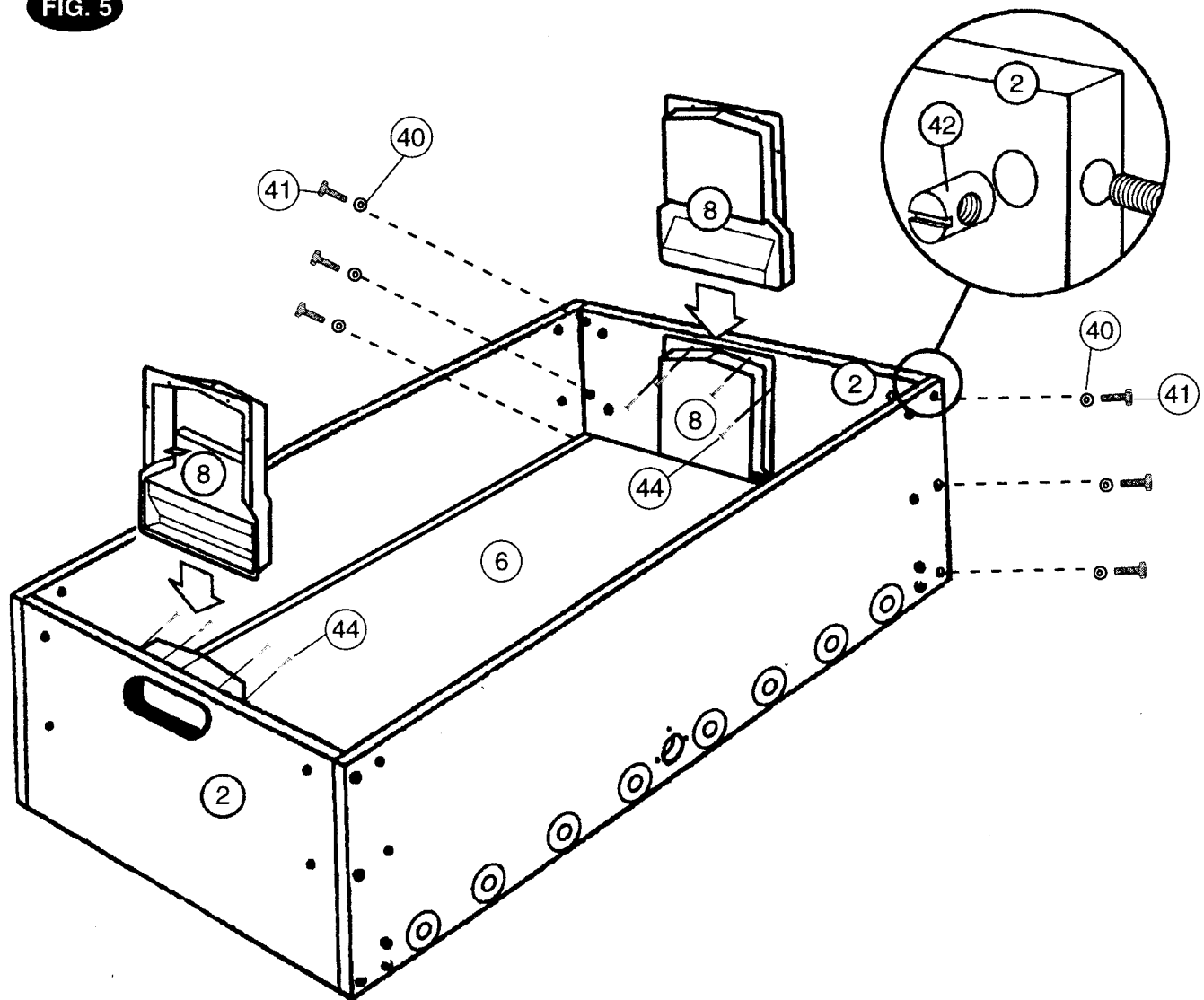


**FIGURE 4**

5. Slide the PLAYING FIELD (item #6), with playing surface graphics facing down, into the GREEN PLAY FIELD "F" EXTRUSION (item #7) attached to the inside of the two SIDES (item #1). (If the field does not slide smoothly check to be sure you have not over tightened the connecting BOLTS.) Center the field on the two GOAL END BOARDS (item #4). Secure firmly with (4) #6 x 1" SM ZINC fasteners (item #43) at each end.

**FOR TOLL-FREE TECHNICAL ASSISTANCE ABOUT ASSEMBLY, OPERATION, OR REPLACEMENT PARTS PLEASE CALL US AT: 1-800-223-6047**

FIG. 5



## FIGURE 5

6. Assemble the other CABINET END (item #2) with the slotted side facing inward. This slot fits on the tenon of the top of the TOP SLAT. Use (6) 1/4 - 20 x 2 1/4" BOLTS (item #41), (6) FLAT STEEL WASHERS (item #40), and (6) CROSS DOWEL BARREL NUTS (item #42), as in step #4. Make connection finger tight at this time.

7. Center the BALL CATCHER (item #8) over the GOAL END BOARD opening and attach the BALL CATCHER to the GOAL END (item #2) with (4) #6 x 1/2" TRUSS HEAD SMS ZINC SCREWS (item #44). Secure firmly. Repeat at other end.

**FOR TOLL-FREE TECHNICAL ASSISTANCE ABOUT ASSEMBLY, OPERATION, OR REPLACEMENT PARTS PLEASE CALL US AT: 1-800-223-6047**

FIG. 6

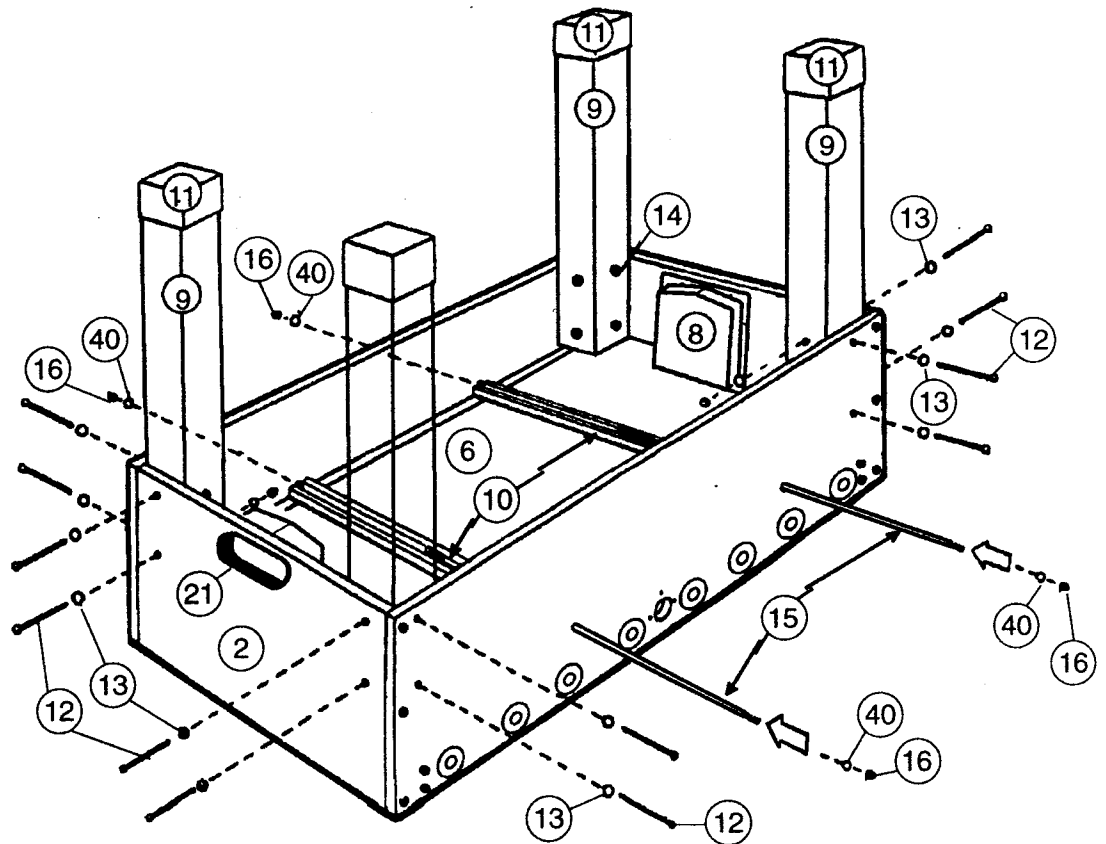


FIGURE 6

8. Assemble each LEG (item #9) by using (4) 3/8 - 16 - 2" HEX HEAD BOLTS (item #12), with (4) FLAT BLACK WASHERS (item #13). Make connections finger tight. Be sure LEG BOOTS (item #11) are firmly in place.

9. Lay the FIELD SUPPORT BRACES (item #10) on the PLAYING FIELD (item #6) with slots aligned to holes in CABINET SIDES. Insert THREADED RODS (item #15) through holes in SIDES and in slots. Fasten with 1/4 ID FLAT WASHERS (item #40) and ACORN NUTS (item #16) on both sides of CABINET. Tighten connections snug.

10. Lift the table assembly from the floor with two strong adults, turn over, and set table on its legs in the location where you will use it. Tighten all remaining connections snug. At each connection assure that the top surfaces of mating pieces are flush, then tighten bolt with the proper sized wrench. Check the ACORN NUTS (item #16), tighten down so that the FIELD SUPPORT BRACES (item #10) are firmly in place.

**CAUTION! SAFETY COMES FIRST!  
TABLE IS VERY HEAVY.**

**IF TABLE IS PLACED ON AN ANGLE TO THE FLOOR, TABLE  
MAY BECOME DAMAGED. TWO STRONG ADULTS ARE  
RECOMMENDED TO FLIP TABLE AS SHOWN.**

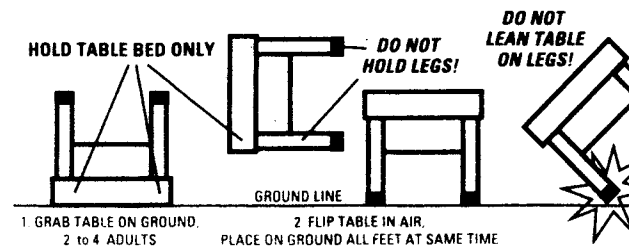
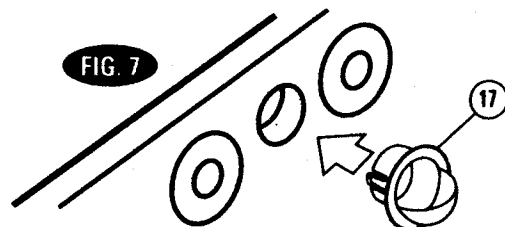


FIGURE 7

11. Snap into the center hole of each side of the TABLE a BALL ENTRY CUP (item #17).



**FOR TOLL-FREE TECHNICAL ASSISTANCE ABOUT ASSEMBLY, OPERATION, OR  
REPLACEMENT PARTS PLEASE CALL US AT: 1-800-223-6047**

# FIGURE 8 & 9

12. Work from one side of the TABLE, and start with the YELLOW PLAYERS. Notice that there are **three** different types of ROD (items #24, #25, and #26), for each team.

### IMPORTANT: RODS MUST BE CLEANED PRIOR TO ASSEMBLY

Spray some solvent (WD-40 or similar) on a cloth and work back and forth on rod to remove residue from plating process. This will prevent bearings from becoming "gummed" up.

13. Select two RODS (item #24), one ROD (item #26). Notice that there is a hole near the end of each ROD. On the hole end of each ROD, place a WOOD HANDLE (item #27). Attach with a #10 - 32 x 3/4" SCREW (item #31) through the handle and into the rod.

14. Insert one ROD (item #24) into the PLASTIC ROD BEARING in the far corner hole on the left side of the CABINET. See Figure 8. Next, slide onto the ROD, one by one. **In this order, the following items (See Figure 9):** PLASTIC WASHER (item #28) RUBBER BUMPER (item #29), STEEL WASHER (item #30), PLASTIC WASHER, YELLOW TEAM PLAYER (item #32), YELLOW TEAM PLAYER (item #32) (**with back to goal**), continue with YELLOW TEAM PLAYER, PLASTIC WASHER, STEEL WASHER RUBBER BUMPER, and PLASTIC WASHER.

Slide assembled ROD (item #24) through the PLASTIC ROD BEARING on the opposite side of the cabinet. Put RUBBER ROD END CAP (item #34) on end of ROD. Attach YELLOW TEAM PLAYERS (item #32) to the holes in ROD with #8 - 32 x 1 1/4 SLOTTED HD MACHINE SCREWS (item #35) and PLASTIC LOCKNUTS (item #36).

15. Insert RODS (item #25, #26 and #24) into the second, fourth and sixth holes respectively, **counting from the far left corner** See Figure 8. Slide onto the ROD, one by one. **In this order (See Detail B and reference Figure 9):** PLASTIC WASHER (item #28), RUBBER BUMPER (item #29) STEEL WASHER (item #30), PLASTIC WASHER (item #28), then (2) YELLOW TEAM PLAYERS on the second hole ROD (item #25)); (5) YELLOW TEAM PLAYERS, on the fourth hole ROD (item #26); (3) YELLOW TEAM PLAYERS, on the sixth hole ROD (item #24), (**all facing the same direction as the goalie**). Finish rods with PLASTIC WASHER (item #28), STEEL WASHER (item #30), RUBBER BUMPER (item #29), PLASTIC WASHER (item #28).

Slide RODS through the PLASTIC BEARING on the opposite side of the cabinet. Put RUBBER ROD END CAPS (item #34) on the end of each ROD.

Attach PLAYERS to the holes in the RODS with #8 - 32 x 1 1/4" SLOTTED HEAD MACHINE SCREWS (item #35) and PLASTIC LOCKNUTS (item #36).

16. Assemble the BLACK PLAYERS in the same way on the other side. Make sure that all BLACK PLAYERS face in one direction, and that all the YELLOW PLAYERS face the opposite direction, both GOALIES, (See Detail 9), with backs to the goal they defend.

17. Assemble the SCORER ROD and SCORE BEADS (item #22), and two SCORER END PIECES (item #23), into the pre-drilled holes on the APRON TOP SLAT (item #3). Fasten with (2) #8 x 2" FLT HD BLACK SCREWS (item #19). Repeat for other SCORER.

18. To level table, put shims (not furnished) inside the appropriate LEG BOOTS (item #11).

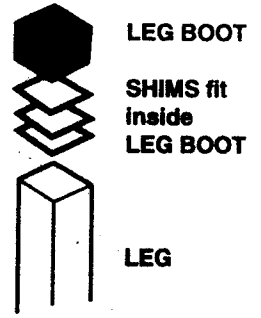


FIG. 8

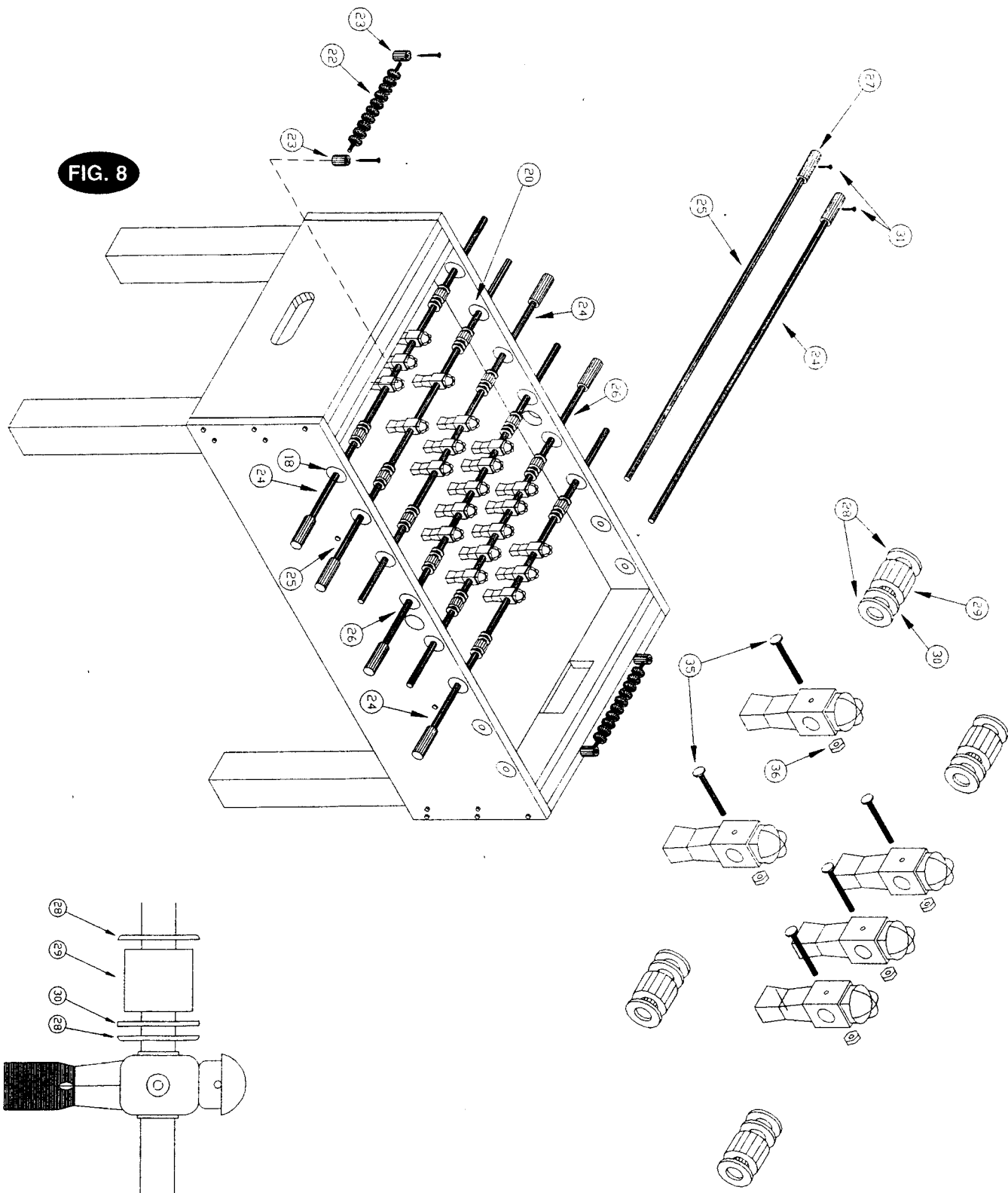
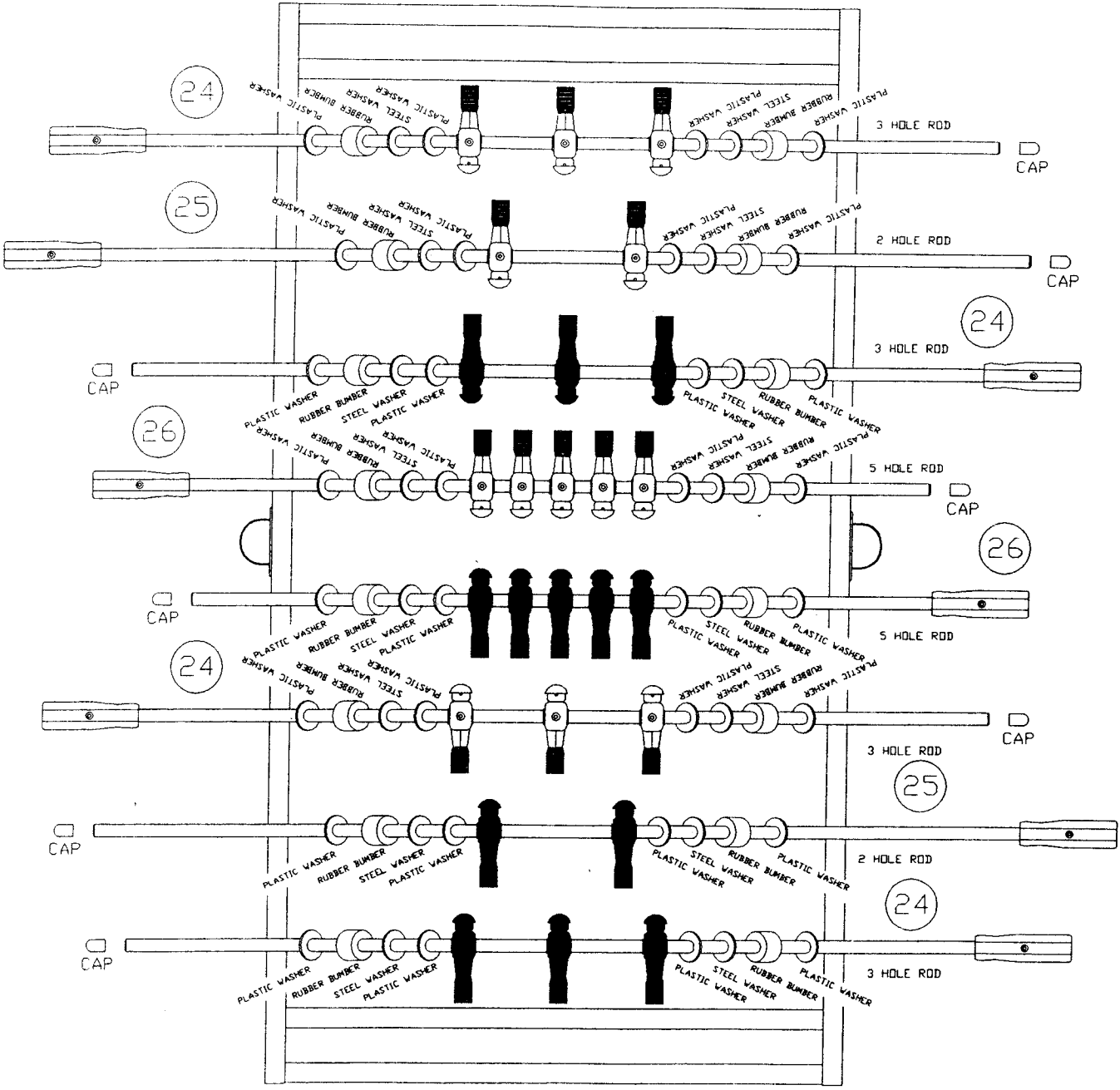


FIG. 9



TEAM LINE-UP



YELLOW PLAYERS



BLACK PLAYERS

# Parts List for -- **PREMIUM SOCCER**

ITEM #	PART #	DESCRIPTION	QUANTITY
1.	753.40.20/753.47.20	CABINET SIDE	2
2.	753.40.30/753.47.30	CABINET END	2
3.	753.40.60	APRON TOP SLAT	2
4.	753.40.50/753.47.50	GOAL END BOARD	2
5.	05.755.10	U-SHAPE GOAL BEZEL--INNER	2
6.	750.27.10	PLAYING FIELD--GREEN--FLAT--SCREENED	1
7.	05.755.07	PLAYING FIELD "F" EXTRUSION (Green)	2
8.	05.755.13	BALL CATCHER	2
9.	01.744.04	LEG	4
10.	750.07.10	PLAY FIELD SUPPORT STRIP	2
11.	05.770.40	LEG BOOT	4
12.	09.755.42	3/8 - 16 X 2" BOLT (Black)	16
13.	09.755.41	3/8" ID FLAT WASHER (Black)	16
15.	09.755.40	THREADED ROD 1/4" X 29 - 5/16	2
16.	09.755.25	1/4 - 20 ACORN NUT (Black)	4
17.	05.755.12	BALL ENTRY CUP	2
18.	05.753.30/05.753.31	SNAP ROD BEARING - Set	16
19.	12.753.06-12	#8 X 2" FLT HD SCREW BLACK--For Scorekeeper	4
21.	05.755.11	GOAL FLANGE - Outer - End Apron Hole Liner	2
22.	12.753.06-10	SCORER ROD AND BEAD Assembly	2
23.	12.753.06-11	SCORER END PIECE	4
24.	12.753.07-1	3 MAN ROD; 3 center holes	4
25.	12.753.07-2	2 MAN ROD; 2 center holes	2
26.	12.753.07-3	5 MAN ROD; 5 center holes	2
27.	12.753.06-1	WOOD HANDLE	8
28.	12.753.06-2	1½" DIA. PLASTIC WASHER	32
29.	122.753.06-3	RUBBER BUMPER	16
30.	12.753.06-4	1½" DIA. STEEL WASHER	16
31.	12.753.06-13	10 - 32 X ¾" PAN HEAD SCREW	8
32.	12.753.06-5	YELLOW TEAM PLAYER	13
33.	12.753.06-6	BLACK TEAM PLAYER	13
34.	12.753.06-7	ROD END CAP	8
35.	12.753.06-8	#8 - 32 x 1¼" SLOTTED HD M.S. for men	26
36.	12.753.06-9	#8 - 32 PLASTIC LOCK NUT	26
37.	05.753.25	PREMIUM SOCCER BALLS--Fuzzy	4
38.	07.753.10	PREMIUM SOCCER MANUAL	1
39.	09.755.24	#6 x 3/8" FLAT HD (Black), for flange	4
40.	09.755.22	1/4" ID FLAT WASHER BO	24
41.	09.755.26	1/4" - 20 x 2¼" HH BOLT, Black	20
42.	09.755.23	1/4" - 20 CROSS DOWEL BARREL NUT	20
43.	09.755.21	#6 x 1" PH PAN HEAD SMS, ZINC	8
44.	09.755.20	#6 x 1/2" TRUSS HD SMS, ZINC	8

**FOR TOLL-FREE TECHNICAL ASSISTANCE ABOUT ASSEMBLY, OPERATION, OR  
REPLACEMENT PARTS PLEASE CALL US AT: 1-800-223-6047**