

# CARROM

218 E. Dowland Street • Ludington, MI 49431-0649

## ASSEMBLY & INSTRUCTION MANUAL

### PRO SOCCER

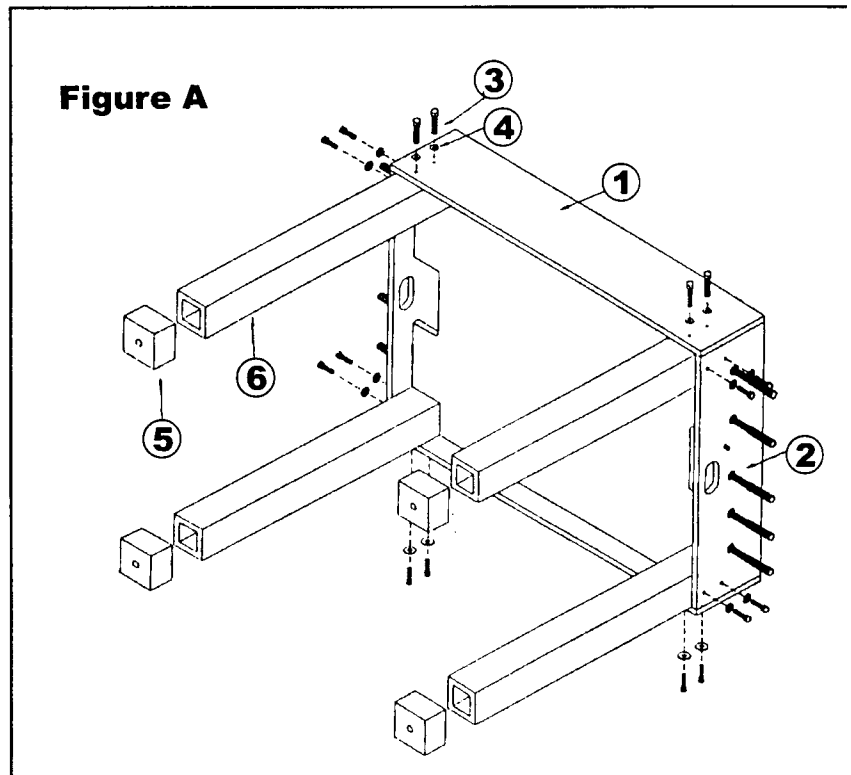
### MODEL 748.02

**NOTICE: THIS PRODUCT IS INTENDED FOR USE BY  
OR UNDER THE SUPERVISION OF ADULTS**

TOOLS REQUIRED FOR ASSEMBLY: Adjustable Wrench

#### **Contents of Carton:**

- (4) Legs (#6)
- (16) 3/8" - 16 x 2 1/4" Hex Head Bolt (#3)
- (16) 3/8" Black Washer (#4)
- (4) Leg Boot (#5)
- (2) Side Shield (#11)
- (2) End Shield (#12)
- (12) #8 x 1/2" Pan Head Screw (#7)
- (4) Shield Guard (#13)
- (2) Scorekeeper (#9)
- (2) Score label (#10)
- (1) Instructions
- (2) Balls

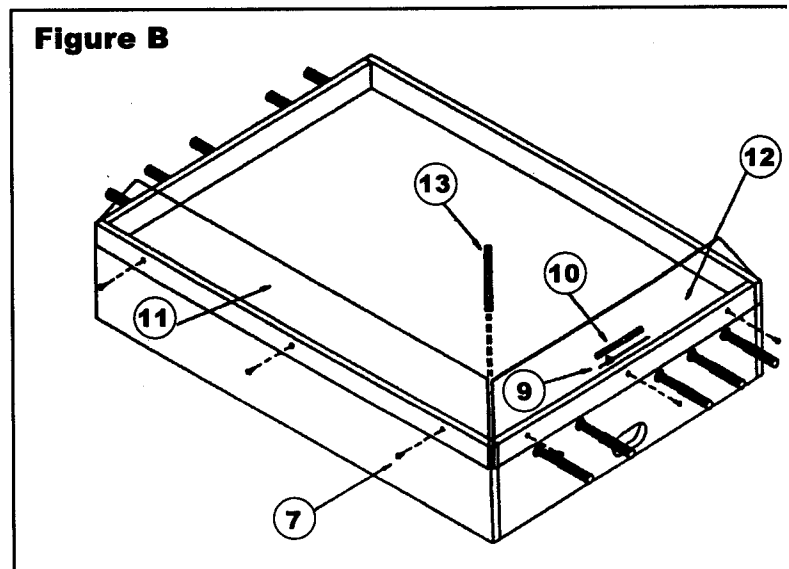


#### **STEP NO. 1 - Refer to Figure A**

- Figure A  
Assemble the four LEGS (item #6) using (16) 3/8" - 16 HEX HEAD MACHINE BOLTS (item #3), (16) 3/8" BLACK WASHERS (item #4). Be sure the LEG BOOTS (item #5) are firmly in place.
- Make connections finger tight at this time.
- Turn the game over so it is standing on its legs and tighten bolts.

## STEP NO. 2 - Refer to Figure B

- Remove the protective covering from each of the four Shields.
- Locate the Side and End Shields (#11 and #12) on the game and assemble into the pre-bored holes using (3) #8 x 1/2" Pan Head Screws (#7) per shield.
- Slide the (4) Shieldguards (#13) over the edges of each shield. This will hold the Side and End Shields together.
- Snap the Scorekeepers (#9) into each slot on the End Shield (#12) and apply the score label (#10) above the slot.
- Level the table by inserting cardboard shims (not supplied) into Legboots (#5).
- Your PRO SOCCER is now ready for play.



## TROUBLESHOOTING AND REPAIR

**CAUTION:** The Gameshields are manufactured from a shatterproof material that will scratch easily. The Shield should be cleaned using a soft cloth with household window cleaner. Do not use papertowel as it is very abrasive.

### Ball will not fall through BALL TROUGH

- Check Ball Trough channel for dirt and/or blockages.

### GEAR MECHANISM hard to turn

- The stripping of gear teeth can cause binding. Although the game is equipped with a slip clutch, gear tooth damage may occur after numerous game play. Remove gear mechanism and inspect teeth for any damage. If gears or clutch are worn out replace mechanism.
- A worn gear housing will cause binding or sloppy action. If this occurs, replace gear mechanism.

### PLAYER TRAVEL

- Player rubs on edge of slot. Check alignment of guide strip. Adjust if necessary by repositioning.
- Check for wear or damage to guide strip or gear mechanism. If so, replace.
- Check for debris or blockage in guide strip.

### GOALIE loose or tight

- If goalie does not move when control knob is rotated, tighten screw at the end of the goalie shaft.
- If control knob doesn't slip when goalie reaches end stop, back off screw at the end of goalie shaft 1/4 turn. If goalie moves less than full travel, check goalie wire position. The drive arm should be pointing up. Over travel may also occur if the slip screw at the end of the goalie shaft is too tight or if the drive arm binds with the goalie shaft not allowing slippage. If so, adjust or free binding. NOTE: If adjustment screw keeps loosening, remove and add a drop of super glue to the end of the screw and reassemble.

### To enhance GAME PLAY

If ball tends to lay in the goal area, add a dry film lubricant (silicone) to BALL TROUGH surface. Clean all surface of any dirt prior to application of dry film lubricant. Wipe after applying. **NOTE: Liquid lubricants will attract dirt and impede ball performance.** Wipe clean and check prior to any lubricant application.

FOR TECHNICAL ASSISTANCE ABOUT ASSEMBLY OPERATION OR REPLACEMENT PARTS PLEASE CALL US  
1-800-223-6047

CARROM COMPANY 218 E. DOWLAND STREET LUDINGTON, MICHIGAN 49431