

218 E. Dowland Street
Ludington, MI 49431-0646

CARROM

Assembly Instructions - Electronic Scoring for Foosball Tables

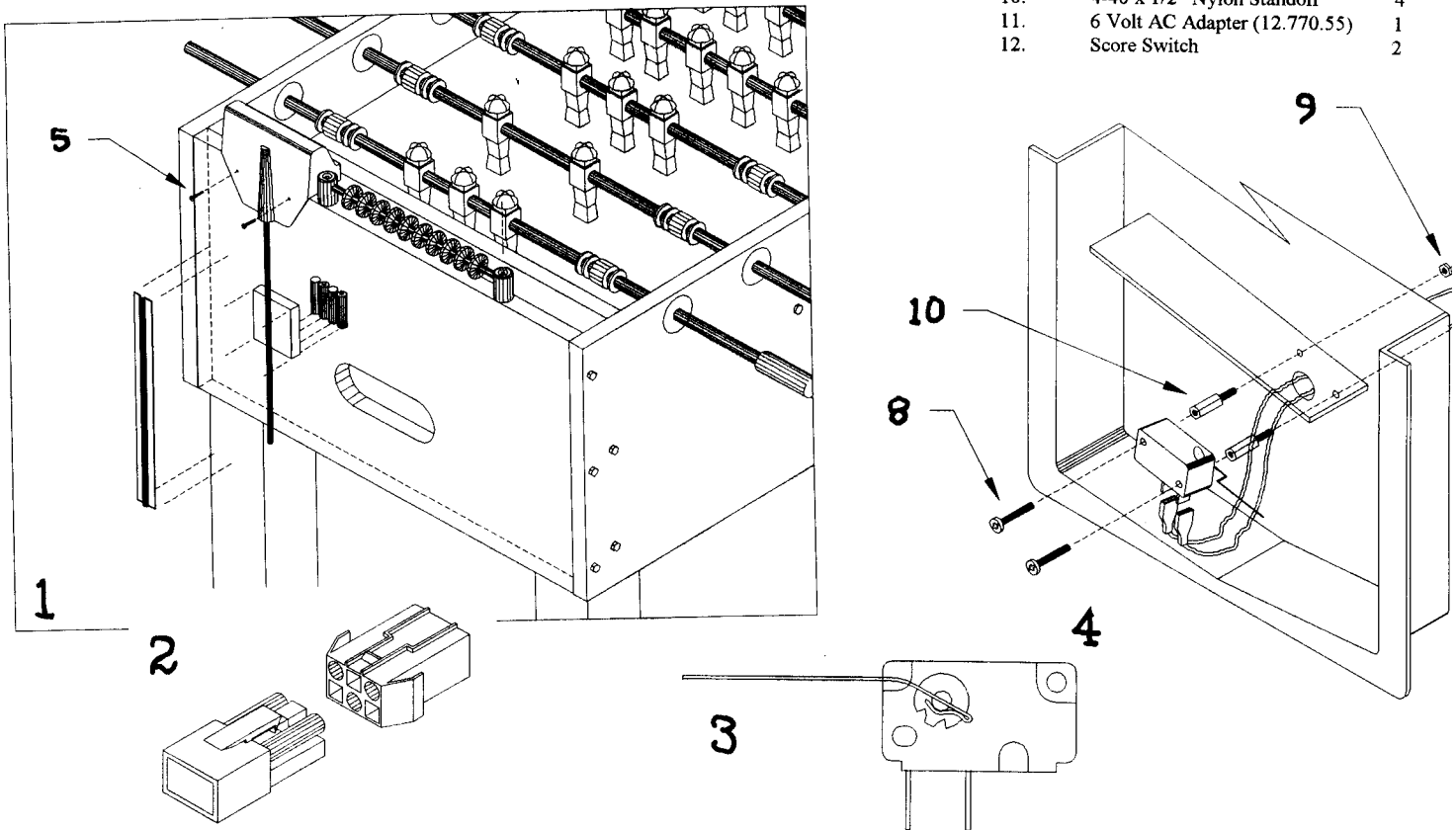
For Toll Free Technical Assistance concerning Product Assembly, Operation or Replacement Parts, Please call us at 1-800-223-6047.

Please note that this Electronic Scoring Unit contains parts which allow it to be installed on Foosball and Hockey tables. Please discard un-needed parts.

Electronic Scorer Assembly Instructions:

Tools Required: (1) Phillips Screwdriver

Item	Parts List: Description	Qty.
1.	Scoring Unit	1
2.	Lower Cable w/ Holder	1
3.	Score Switch Cables	2
4.	Instructions	1
5.	#8 x 3/4" Pan Head Woodscrew	2
6.	Cable Clamps	6
7.	#6 x 3/8" Woodscrew	6
8.	4-40 x 3/4" Screw	4
9.	4-40 Hex Nut	4
10.	4-40 x 1/2" Nylon Standoff	4
11.	6 Volt AC Adapter (12.770.55)	1
12.	Score Switch	2



- Assemble the Sidemount Scoring Unit as shown in **Illustration No. 1** using (2) #8 x 3/4" Panhead Woodscrews (item #5). Be certain that the harness is allowed to hang freely on the outside of the table and does not interfere with Ball removal from the Ball Return.
- Remove the adhesive liners from the Harness Cover which was included with the Foosball Table, not the Scoring Unit. Apply the cover over the harness on the outside table. Be certain that the surface is clean of any grease and oils. See **Illustration 1**.
- Remove the adhesive liner from the battery holder (item #2) and attach it to the inside cabinet apron with the wires facing down. See **Illustration 1**. (wires not shown)
- Join the two cable connectors together. See **Illustration 2**.
- Layout the cables on the underside of the table, with one set of black and gray wires toward the left Ball Return and the remaining black and gray set to the right Ball Return.
- Slip three plastic cable clamps (item #6) over each of the two pairs of wires. Attach each cable clamp with a #6 x 3/8" woodscrew (item #7) to the underside of the table.
- Remove the Ball Return from the underside of the table by removing the four screws used to assemble it to the inside of the End Apron.
- Prepare the Score Switch (item #12) for Foosball only by bending the Actuator Arm until it is parallel with the switch housing. See **Illustration No. 3**.
- Assemble the Score Switch to the Ball Return by using (2) 4-40 x 1/2" Nylon Stand-off (item #10), (2) 4-40 Hex Nut (item #9), and (2) 4-40 x 3/4" Screw (item #8). Assemble the previously laid out Score Switch wires as shown. See **Illustration 4**. Repeat for other side.

Batteries not included. Always maintain fresh Batteries for correct Game operation or use AC Adapter
REPLACEMENT ADAPTER MUST BE PURCHASED FROM THE CARROM COMPANY TO ASSURE COMPATIBILITY

218 E. Dowland Street
Ludington, MI 49431-0646

CARROM

Assembly Instructions - Electronic Scoring for Hockey Tables

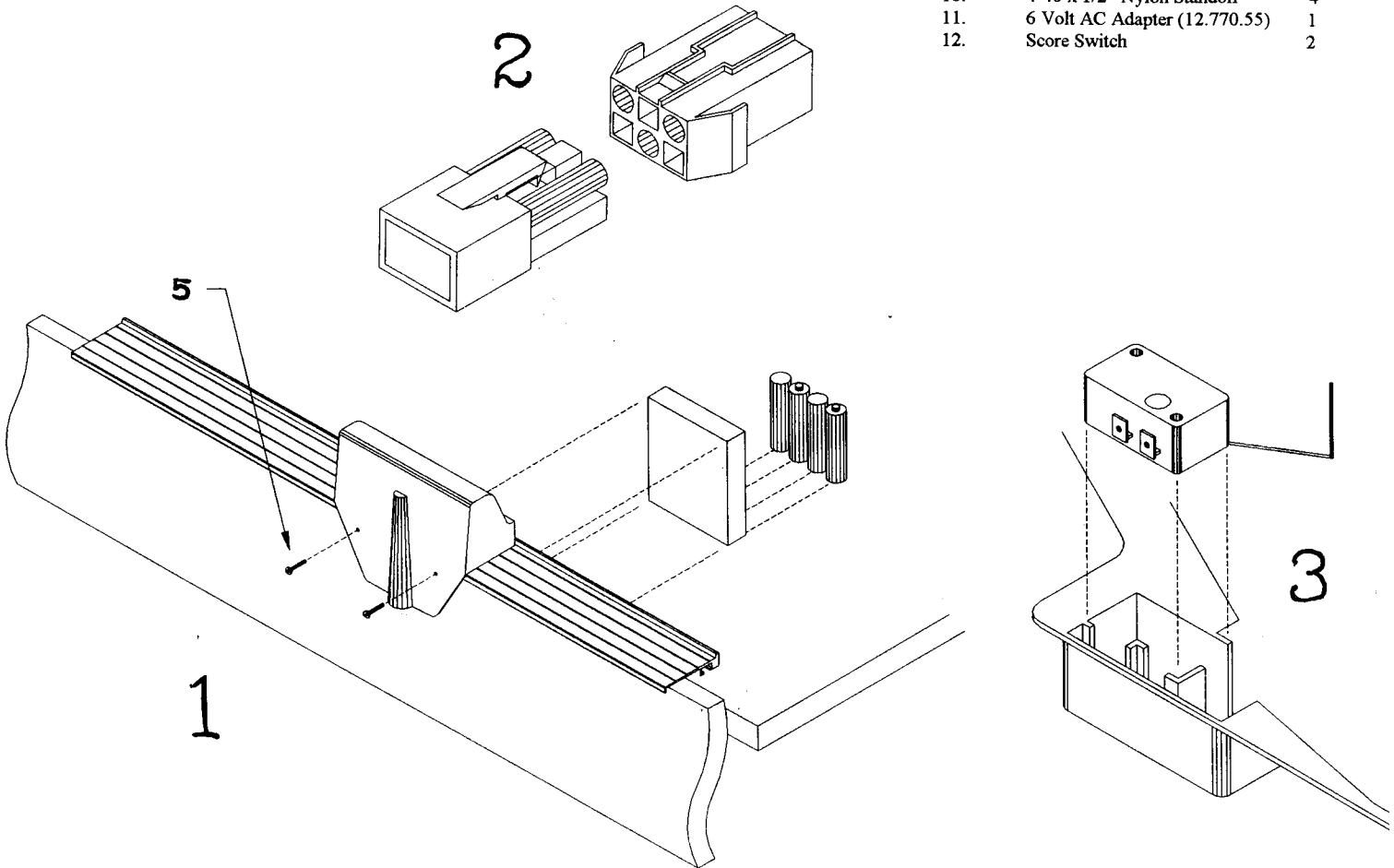
For Toll Free Technical Assistance concerning
Product Assembly, Operation or Replacement Parts,
Please call us at 1-800-223-6047.

Please note that this Electronic Scoring Unit contains
parts which allow it to be installed on Foosball and
Hockey tables. Please discard un-needed parts.

Electronic Scorer Assembly Instructions:

Tools Required: (1) Phillips Screwdriver

Item	Description	Qty.
1.	Scoring Unit	1
2.	Lower Cable w/ Holder	1
3.	Score Switch Cables	2
4.	Instructions	1
5.	#8 x 3/4 Pan Head Woodscrew	2
6.	Cable Clamps	6
7.	#6 x 3/8" Woodscrew	6
8.	4-40 x 3/4" Screw	4
9.	4-40 Hex Nut	4
10.	4-40 x 1/2" Nylon Standoff	4
11.	6 Volt AC Adapter (12.770.55)	1
12.	Score Switch	2



1. Assemble the Sidemount Scoring Unit as shown in **Illustration No. 1** using (2) #8 x 3/4" Woodscrews. Be certain that the harness is allowed to hang freely on the outside the table.
2. Remove the adhesive liner from the battery holder and attach it to the inside cabinet apron with the wires facing down., locating it approximately 1" from the edge of the Apron. See **Illustration 1**.
3. Join the two cable connectors together. See **Illustration 2**.
4. Layout the cables on the underside of the table, with one set of black and gray wires toward the left Puck Return and the remaining black and gray set to the right Puck Return.
5. Slip three plastic cable clamps over each of the two pairs of wires. Attach each cable clamp with a #6 x 3/8" woodscrew to the underside of the table.
6. Remove the Puck Return from the outside of the table by removing the six screws used to assemble it to the outside of the End Apron.
7. Insert the score switches into the Puck returns. See **Illustration 3**.
8. Re-assemble the two Puck Returns.

Batteries not included. Always maintain fresh Batteries for correct Game operation or use AC Adapter
REPLACEMENT ADAPTER MUST BE PURCHASED FROM THE CARROM COMPANY TO ASSURE COMPATIBILITY